

Parts list

Electronic Buttonhole
machine

Texi O



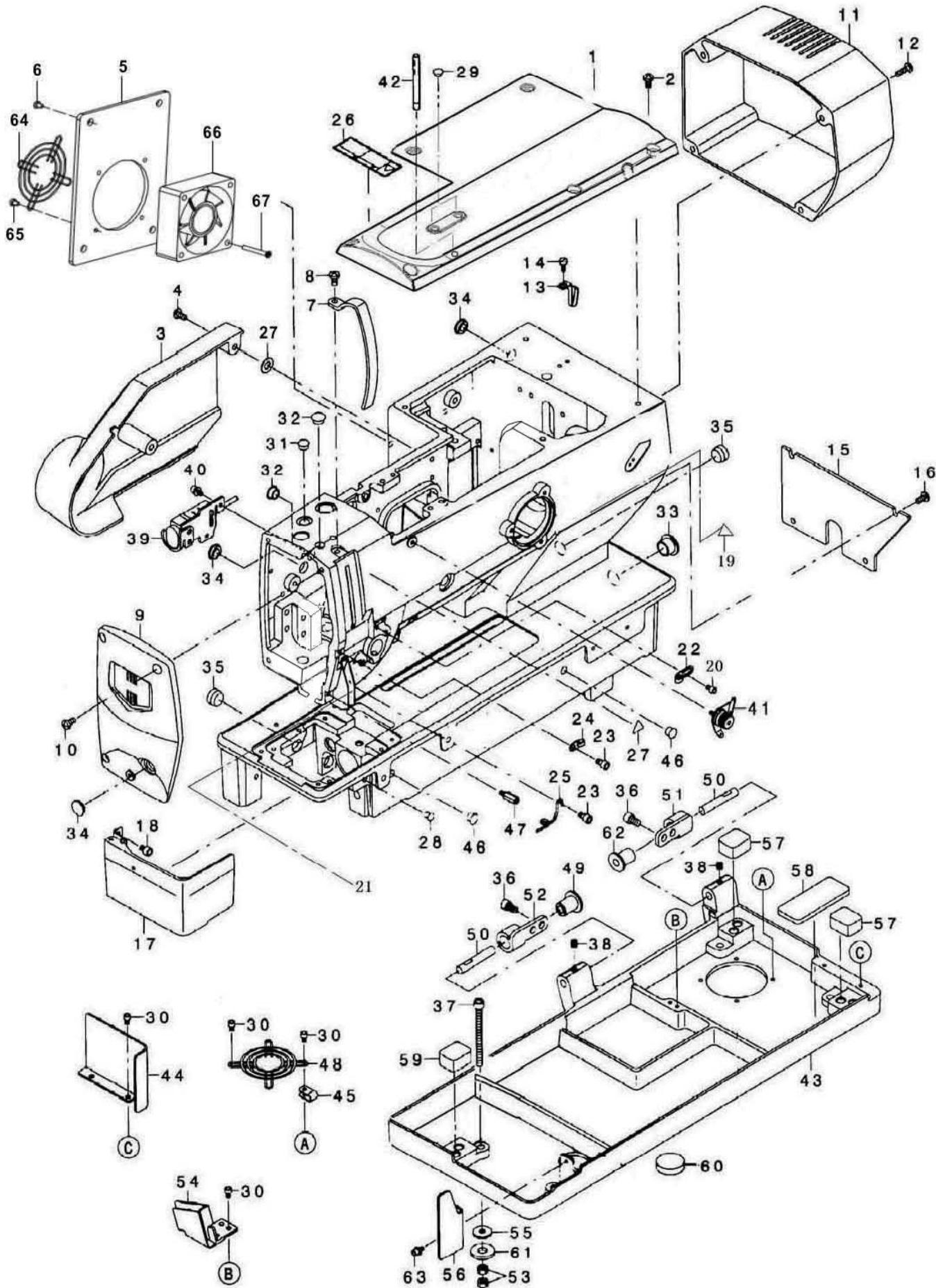
texi

The logo features a stylized purple icon of three teardrop shapes arranged in a fan-like pattern to the left of the word "texi" written in a purple, lowercase, serif font.

CONTENTS

1. FRAME & MISCELLANEOUS COVER COMPONENTS I.....	2
2. FRAME & MISCELLANEOUS COVER COMPONENTS II.....	5
3. MAIN SHAFT COMPONENTS.....	8
4. HOOK DRIVING SHAFT COMPONENTS.....	11
5. PRESSER& FEED COMPONENTS.....	13
6. NEEDLE BAR ROCKING COMPONENTS.....	16
7. NEEDLE THREAD TRIMMER COMPONENTS.....	18
8. BOBBIN THREAD TRIMMER COMPONENTS.....	21
9. CLOTH CUTTING KNIFE COMPONENTS.....	25
10. ACCESSORIE PART COMPONENTS.....	27
11. THREAD STAND COMPONENTS.....	30
12. CONTROL BOX COMPONENTS.....	31

1. FRAME & MISCELLANEOUS COMPONENTS I

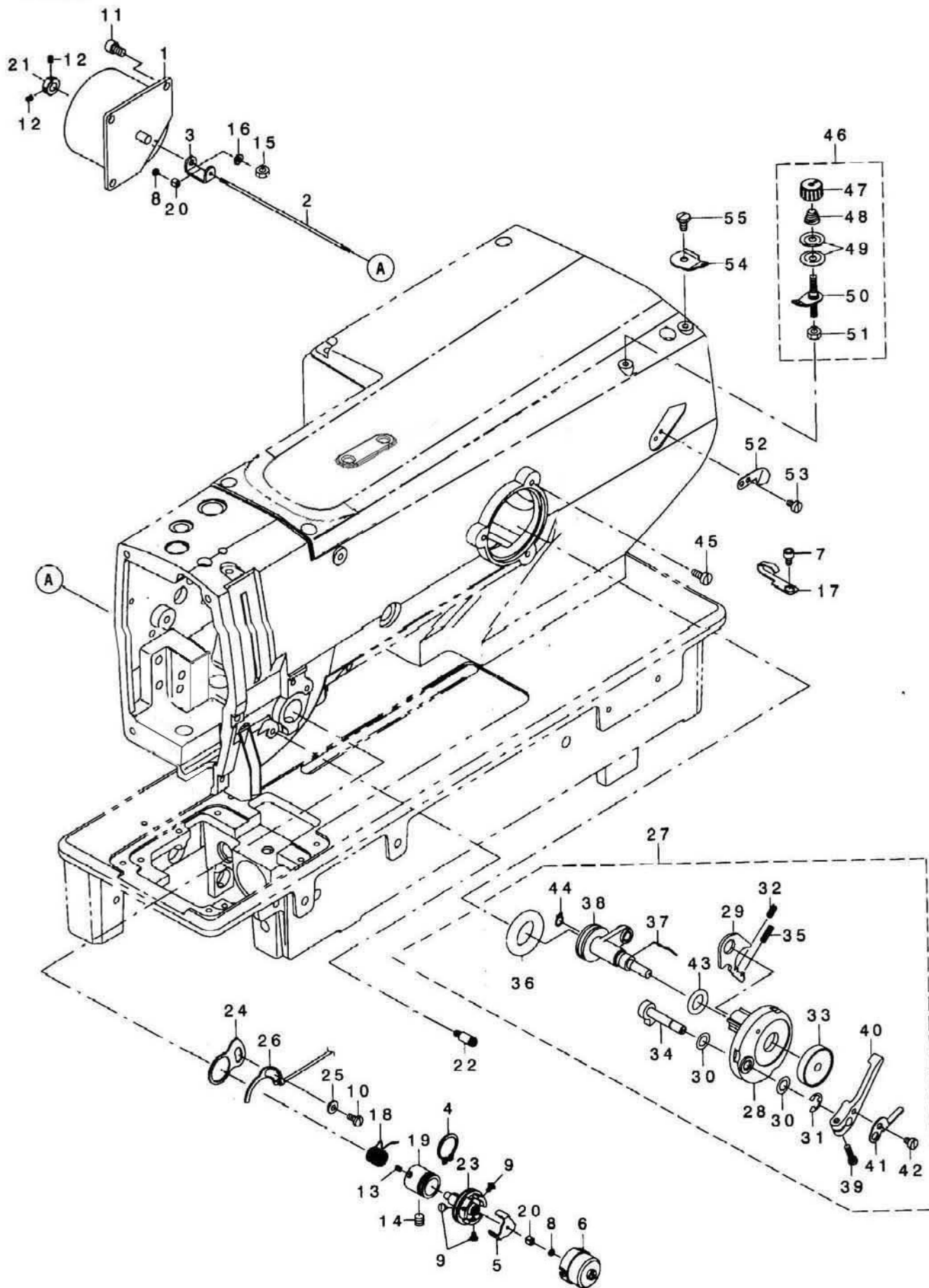


1. FRAME & MISCELLANEOUS COVER COMPONENTS I

NO.	Part No.	Description	Qty
1	20003569	UPPER_COVER	1
2	10003883	SCREW	6
3	20003592	LEFT_COVER	1
4	10003883	SCREW	2
5	20003383	LEFT_COVER_B	1
6	10003883	SCREW	4
7	20003373	THREAD_TAKE_UP_LEVER_COVER	1
8	10003883	SCREW	1
9	20003379	FRONT_COVER	1
10	10003883	SCREW	3
11	20017708	MOTER_COVER	1
12	10003827	SCREW M5 L=16	4
13	10003446	OIL TUBE HOLDER	1
14	10003399	SCREW M4 L=10	1
15	20003380	REAR_COVER	1
16	10003883	SCREW	4
17	20000226	HOOK OIL SHIELD COVER COMPL.	1
18	10003881	HEXAGON SOCKET HEAD SCREW M5*6	2
19	10005987	GROUNDING SYMBOL	1
20	10003399	SCREW M4 L=6	1
21	10003359	THREAD GUIDE TROUGH	1
22	10003419	TAKE-UP THREAD GUIDE A	1
23	10003396	SCREW M5 L=8	2
24	10003423	TAKE-UP THREAD GUIDE B	1
25	10003873	NEEDLE BAR THREAD GUIDE	1
26	10008936	SAFETY LABEL 12	1
27	10003353	CLOTH PLATE WASHER	1
28	10003426	RUBBER PLUG	1
29	10000091	PLUG D=7.5 L=3.5	2
30	10003399	SCREW M4 L=6	6
31	10011136	RUBBER PLUG	1
32	10011099	RUBBER PLUG	2
33	10003880	RUBBER PLUG	1
34	10011099	RUBBER PLUG D=12.5 L=4	3
35	10003871	PLUG	2
36	10003402	SCREW M6 L=10	4
37	10003832	HEXAGON BOLT	4

38	10011232	SCREW M6 L=6	2
39	10003870	SWITCH ASM.	1
40	10003875	SCREW	2
41	10000131	PRE_TENSION CONTROLLER ASM.	1
42	10000167	THREAD GUIDE BAR	1
43	10003878	BED_BASE	1
44	20003381	BED_REAR_COVER	1
45	10003358	CABLE CLAMP	1
46	10000405	RUBBER PLUG	2
47	10003413	VCS STUD A	1
48	10003397	FINGER GUARD	1
49	10003347	HINGE_BUSH	1
50	10003884	HINGE PIN	2
51	10003443	HINGE PLATE A	1
52	10003831	HINGE PLATE B	1
53	10005504	NUT M6	8
54	10003888	SAFETY SWITCH COVER	1
55	10003395	WASHER 6. 1X18. 5X2	4
56	10003453	OIL SHIELD	1
57	10003415	RUBBER A	2
58	10003829	CUSHION	1
59	10003415	RUBBER	1
60	10003451	Z STOPPER RUBBER	1
61	10003357	RUBBER CUSHION(B)	4
62	10003350	RUBBER HINGE	1
63	10003875	SCREW	1
64	10025134	SHELTER_CLAD	1
65	10003875	SCREW	2
66	10025133	FAN ASM	1
67	10003444	FAN SCREW ASM	2

2. FRAME & MISCELLANEOUS COMPONENTS II

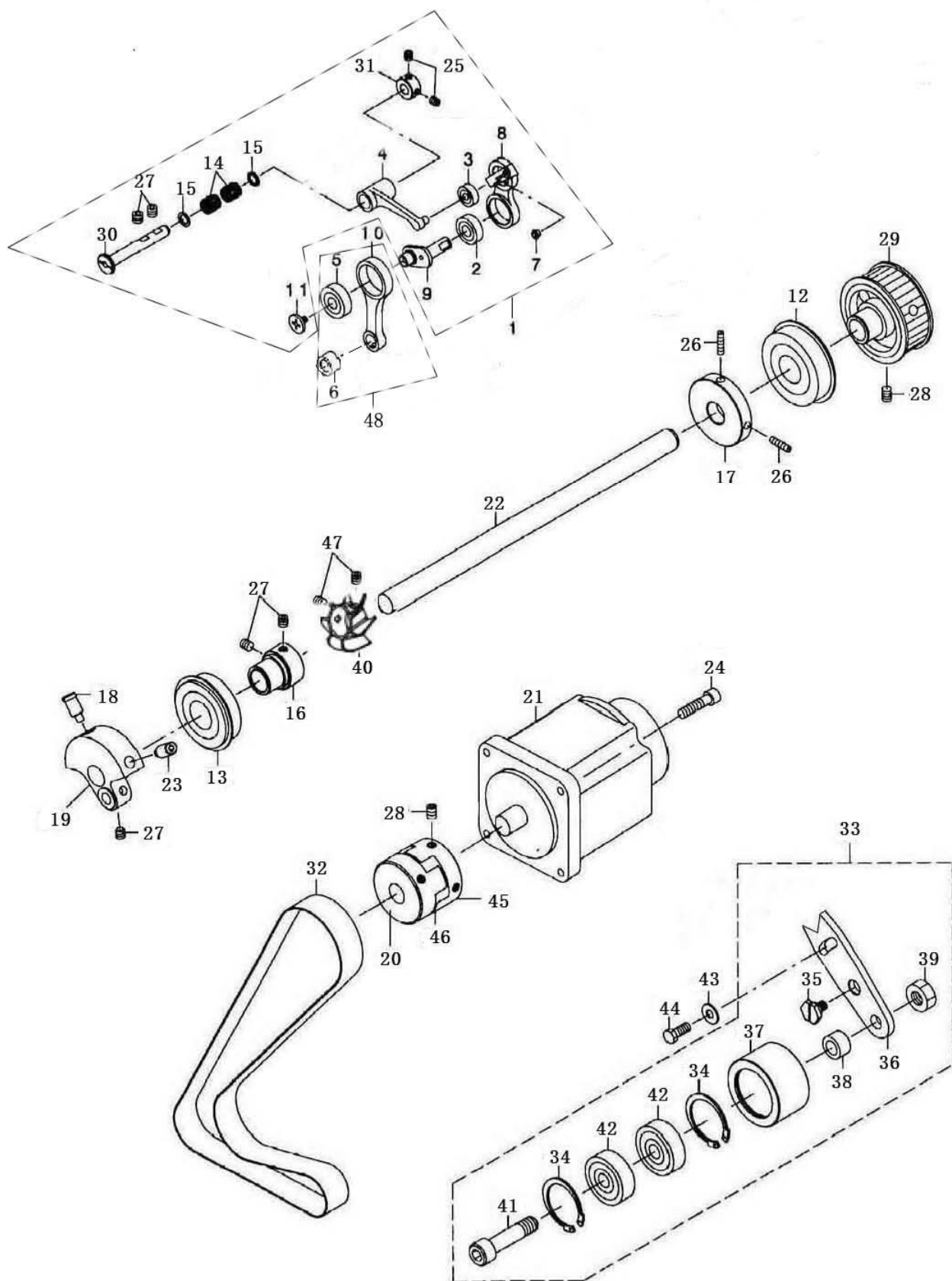


2. FRAME & MISCELLANEOUS COVER COMPONENTS II

NO.	Part No.	Description	Qty
1	10000650	ASSY_AT_SOLENOID	1
2	10000742	AT_SHAFT	1
3	10000651	AT_SHAFT HOLDER	1
4	10000652	RETAINING RING	1
5	10000755	DISK_STOPPER	1
6	10000756	DISK_STOPPER HOLDER_CAP	1
7	10003399	SCREW M4 L=6	4
8	10000754	NUT	2
9	10000743	SCREW	3
10	10000731	SCREW M4 L=8	1
11	10005490	SCREW M L=10	3
12	10013019	SCREW	2
13	10000746	SCREW M3 L=4	1
14	10011232	SCREW M6 L=6	1
15	10009471	NUT	1
16	10005415	SPRING WASHER	1
17	10001122	LUBRICATING OIL WICK STOPPER	4
18	10000069	TAKE-UP SPRING	1
19	10000749	THREAD_TENSION_POST_BASE	1
20	10000753	THREAD_TENSION_SHAFT_COLLAR	2
21	10000732	THRUST COLLAR	1
22	10007123	UTT_SUSPENSION_SCREW_9	1
23	10000766	ASSY_THREAD_TENSION_POST	1
24	10000741	GUIDE PLATE	1
25	10000752	BUSHING	1
26	10000758	THREAD BREAK DETECTOR A	1
27	10039319	ASSY_BOBBIN_THREAD_WINDER	1
28	10011096	BOBBIN FITTING BASIS COMPL.	1
29	10004497	ADJUSTING PLATE	1
30	10004486	VERTICAL ROLLER WASHER	2
31	10013038	E-RING	1
32	10004494	PRESSER FOOT SPRING	1
33	10000822	BOBBIN CUSHION	1
34	10006151	BOBBIN CAM SHAFT COMPLE.	1
35	10004501	SPRING	1
36	10008773	BTW_RUBBER_RING	1

37	10009937	LATCH SPRING	1
38	10000823	ASSY_BTW_SHAFT	1
39	10000735	SCREW 9/64 -40 L=13.5	1
40	10000736	BOBBIN LEVER	1
41	10000737	BOBBIN ADJUSTING PLATE	1
42	10000759	SCREW 9/64 -40 L=5.0	1
43	10004485	RUBBER RING	1
44	10006142	RETAINING RING	1
45	10011101	SCREW 11/64X40 L=11	3
46	10003088	BOBBIN THREAD TENSION ASM.	1
47	10004503	THREAD TENSION NUT	1
48	10004391	THREAD TENSION SPRING	1
49	10004393	BOBBIN WINDER TENSION DISC	2
50	10003089	BOBBIN THREAD TENSION ROD ASM.	1
51	10004507	NUT 11/64-40	1
52	10011149	THREAD CUTTER	1
53	10000164	SCREW 1/8-44 L=2.9	2
54	10000733	THREAD GUIDE	1
55	10010668	SCREW 11/64-40 L=7.8	1

3. MAIN SHAFT COMPONENTS

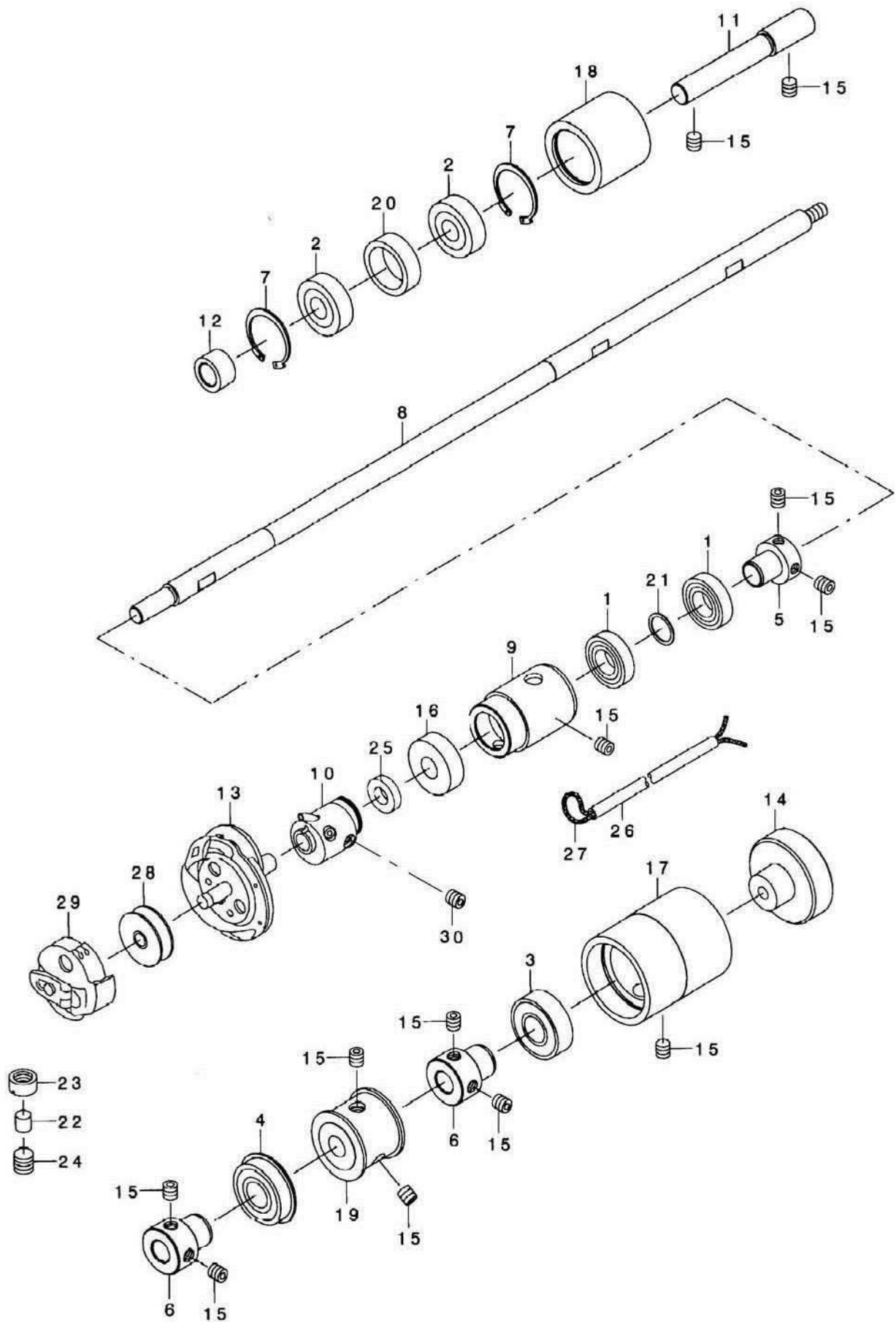


3. MAIN SHAFT & THREAD COMPONENTS

NO.	Part No.	Description	Qty
1	10053752	THREAD_TAKE_UP_ASM.	1
2	10009777	BEARING	1
3	10003552	BEARING	1
4	10000844	THREAD_TAKE_UP_CRANK	1
5	10014511	BUSHING	1
6	10052926	BUSH	1
7	10004161	THREAD PASS BUSH	1
8	10000856	LINK_TAKE_UP	1
9	10000846	NEEDLE_BAR_CRANK	1
10	10000857	NEEDLE_BAR_CRANK_ROD	1
11	10010537	LEFT SCREW	1
12	10025862	BEARING	1
13	10025881	BEARING	1
14	10005747	BEARING	2
15	10005786	BEARING SUPPORT	2
16	10000839	BEARING HOLDER	1
17	10013112	BOBBIN WINDER DRIVING WHEEL	1
18	10000862	COUNTER_WEIGHT_SCREW	1
19	10000861	COUNTER_WEIGHT	1
20	10000868	COUPLING	1
21	10053759	AC SERVO MOTOR	1
22	10000841	MAIN_SHAFT	1
23	10000831	SCREW M8 L=16	1
24	10000860	SCREW M5 L=20	4
25	10012162	SCREW M5 L=5	2
26	10012062	SCREW 11/64-40 L=6	2
27	10011232	SCREW M6 L=6	6
28	10000314	SCREW M6 L=8	6
29	10000779	SPROCKET_A	1
30	10000855	THREAD_TAKE_UP_CRANK_SHAFT	1
31	10000845	THRUST COLLAR D=7 W=8	1
32	10000842	TIMING_BELT	1
33	20000359	IDLER_ASM.	1
34	10003239	RETAINING RING	2
35	10000835	HINGE_SCREW	1
36	10000877	IDLER_FIXED_PLATE	1

37	10000875	IDLER PULLEY	1
38	10000899	INTERMEDIATE SPROCKET WASHER	1
39	10000876	NUT M10	1
40	10049817	UPPER SHAFT FAN	1
41	10000874	SCREW M10 L=42.5	1
42	10003594	BALL BEARING	2
43	10000836	WASHER	1
44	10000865	SCREW M6 L=14	1
45	10000838	COUPLING	1
46	10011227	RUBBER COUPLING	1
47	10009074	SCREW M4 L=4	2
48	10052927	NEEDLE CONNECTING ROD ASSEMBLY	1

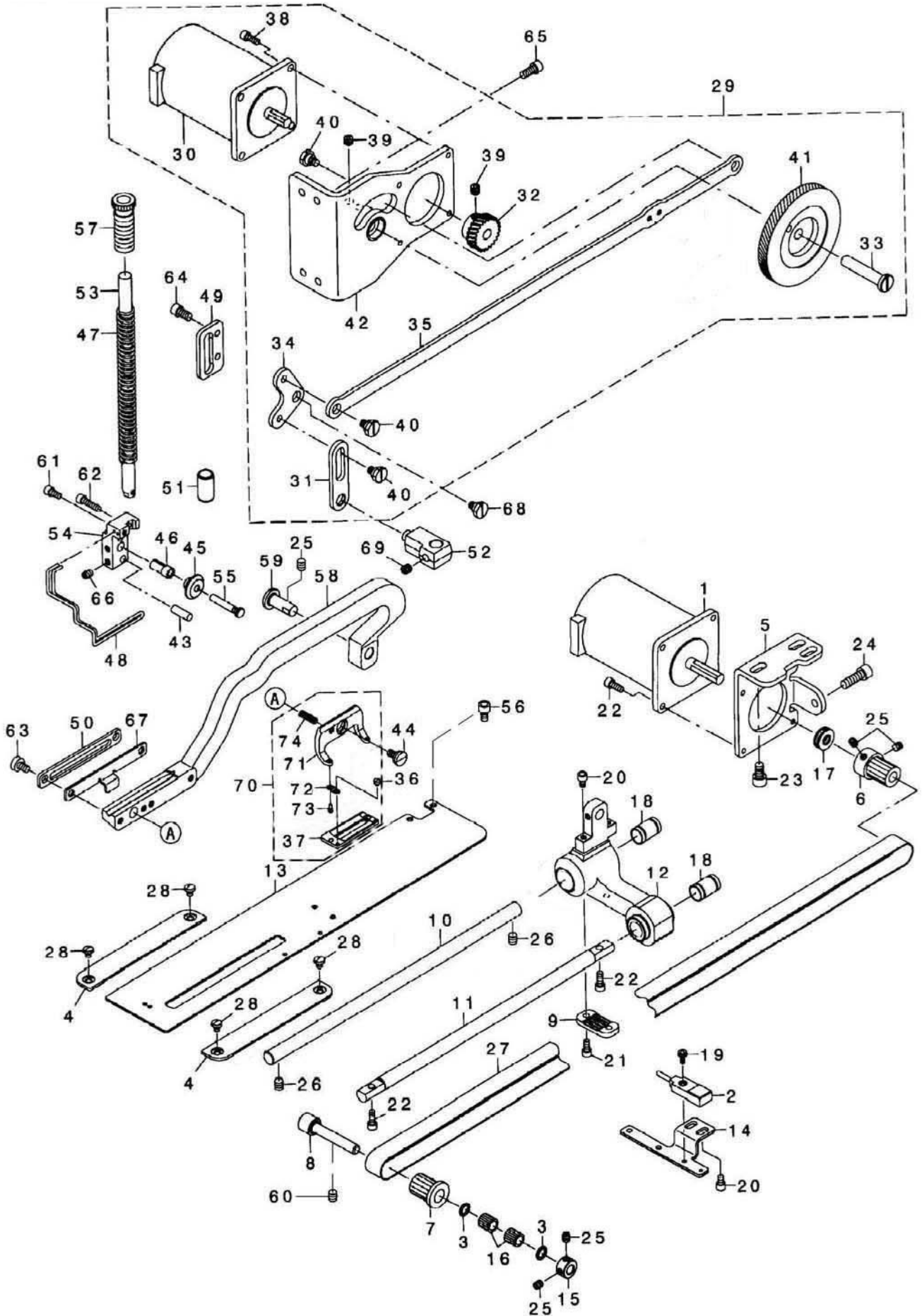
4 4. HOOK DRIVING SHAFT COMPONENTS



4. HOOK DRIVING SHAFT COMPONENTS

NO.	Part No.	Description	Qty
1	10007410	BEARING	2
2	10003544	BALL BEARING	2
3	10003581	BEARING	1
4	10003600	BEARING	1
5	10000897	BEARING_SUPPORT	1
6	10000891	BUSH	2
7	10000929	RETAINING RING	2
8	10000892	HOOK_DRIVING_SHAFT	1
9	10000895	HOOK_DRIVING_SHAFT_METAL	1
10	10000902	HOOK SLEEVE ASM.	1
11	10000898	INTERMEDIATE SPROCKET SHAFT	1
12	10000899	INTERMEDIATE SPROCKET WASHER	1
13	10033423	HOOK COMPL.	1
14	10000775	CROWN KNOB	1
15	10011232	SCREW M6 L=6	12
16	10000883	FELT	1
17	10000893	BEARING SUPPORT	1
18	10000900	SPROCKET_B	1
19	10000774	SPROCKET_C	1
20	10000901	INTERMEDIATE SPROCKET RING	1
21	10000896	WASHER	1
22	10000887	ADJUSTING SHAFT	1
23	10000885	ADJUSTING_NUT	1
24	10000884	SCREW M8X8	1
25	10000882	FELT	1
26	10007800	TUBE	1
27	10008069	OIL WICK	1
28	10000880	BOBBIN	1
29	10006759	BOBBIN CASE ASM.	1
30	10000881	SCREW	4

5. PRESSER AND FEED COMPONENTS

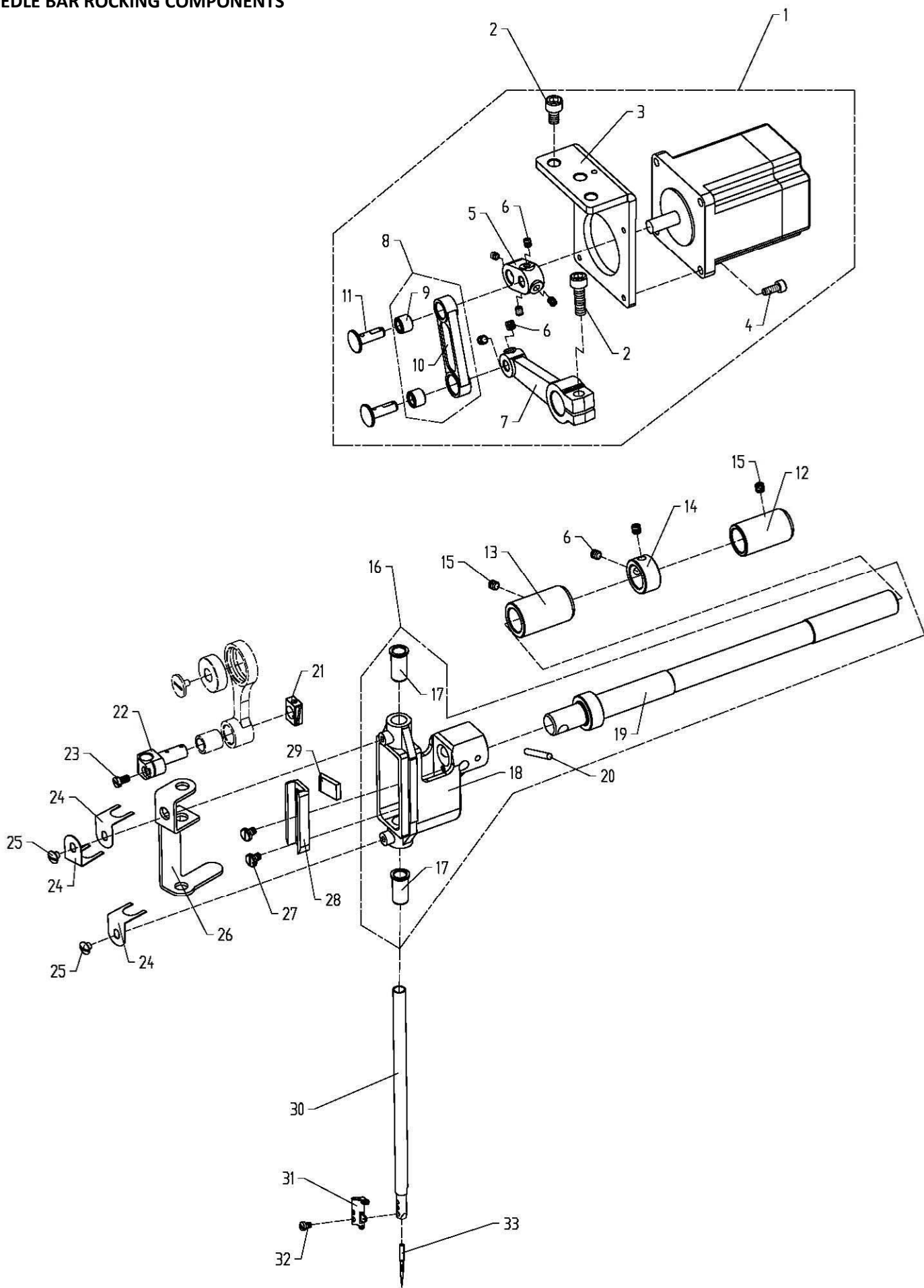


5. PRESSER & FEED COMPONENTS

NO.	Part No.	Description	Qty
1	10000796	FEED MOTOR ASS'Y	1
2	10049543	FEED SENSOR ASS'Y	1
3	10000004	BEARING SUPPORT	2
4	10000005	THROAT PLATE BASE COVER	2
5	10000955	MOTOR_BRACKET	1
6	10000970	PULLEY_B	1
7	10000056	PULLEY_C	1
8	10000003	SUPPORT_SHAFT	1
9	10000067	TIMING_BELT HOLDER	1
10	10000000	FEED_SHAFT	1
11	10000066	FEED_GUIDE_SHAFT	1
12	10000945	FEED_BASE	1
13	10000020	WORK_CLAMP_CARRIER	1
14	10000957	SENSOR_PLATE	1
15	10000002	THRUST COLLAR D=7 W=8	1
16	10005747	BEARING	2
17	10000007	BEARING	1
18	10003681	BEARING	2
19	10000984	SCREW M3X10	1
20	10003399	SCREW M4 L=6	4
21	10003399	SCREW M4 L=8	2
22	10000342	SCREW M4 L=10	6
23	10003402	SCREW M6 L=10	3
24	10010735	SCREW M6 L=18	1
25	10012162	SCREW M5 L=5	5
26	10011232	SCREW M6 L=6	2
27	10000001	TIMING_BELT	1
28	10000019	SCREW M4 L=5	4
29	20007581	ASSY_PBL_GEAR_MODULE	1
30	10041711	CLAMP MOTOR ASS'Y	1
31	10000795	PBL_FRONT_LINK	1
32	10000794	PBL_GEAR'S	1
33	10000946	PBL_GEAR_SHAFT	1
34	10000793	PBL_L_LINK	1
35	10000064	PBL_LONG_ROD	1
36	10000951	SCREW 3/32-56 L=1.9	2

37	10000962	PRESSER	1
38	10000863	SCREW M4 L=10	4
39	10000933	SCREW M6 L=5	5
40	10000261	SHOULDER SCREW D8 H3. 2	4
41	10000965	ASSY_PBL_GEAR_ L	1
42	10000967	ASSY_PBL_MOTOR_BASE	1
43	10000939	PIN, SHORT	1
44	10000940	HINGE SCREW D=7.94 H=2	1
45	10000937	SLIDE ROLLER	1
46	10000936	COLLAR	1
47	10000949	PBL_COLL_SPRING	1
48	10000950	PBL_FINGER_GUARD	1
49	10000948	PLB_GUIDE	1
50	10000942	PBL_LIFTING_PLATE	1
51	10000934	PBL_METAL	1
52	10000932	PBL_POSITION_BRACKET	1
53	10000931	PBL_PRESSER_BAR	1
54	10000935	PBL_ROLLER_BASE	1
55	10000938	PBL_ROLLER_SHAFT	1
56	10003399	SCREW	2
57	10000930	PBL_SPRING_REGULATOR	1
58	10000944	PBL_WORK_CLAMP_ARM	1
59	10000065	PBL_WORK_CLAMP_ARM_SHAFT	1
60	10009074	SCREW	1
61	10012553	SCREW M4 L=8	1
62	10009103	SCREW M4 L=16	1
63	10000943	SCREW M5 L=8	2
64	10005490	SCREW M5 L=10	4
65	10005139	SCREW M5 L=12	4
66	10012162	SCREW M5 L=6	2
67	10000941	UTT_CLOSE_CAM	1
68	10000261	SHOULDER SCREW D8 H3. 2	1
69	10000933	SCREW M6 L=5	1
70	10004529	WORK_CLAMP_CHECK HOLDER	1
71	10000008	WORK_CLAMP_CHECK HOLDER	1
72	10000961	WORK_CLAMP_CHECK SPRING	2
73	10000068	WORK_CLAMP_CHECK SPRING SET PI	2
74	10000009	WORK_CLAMP_CHECK SPRING SPRING	1

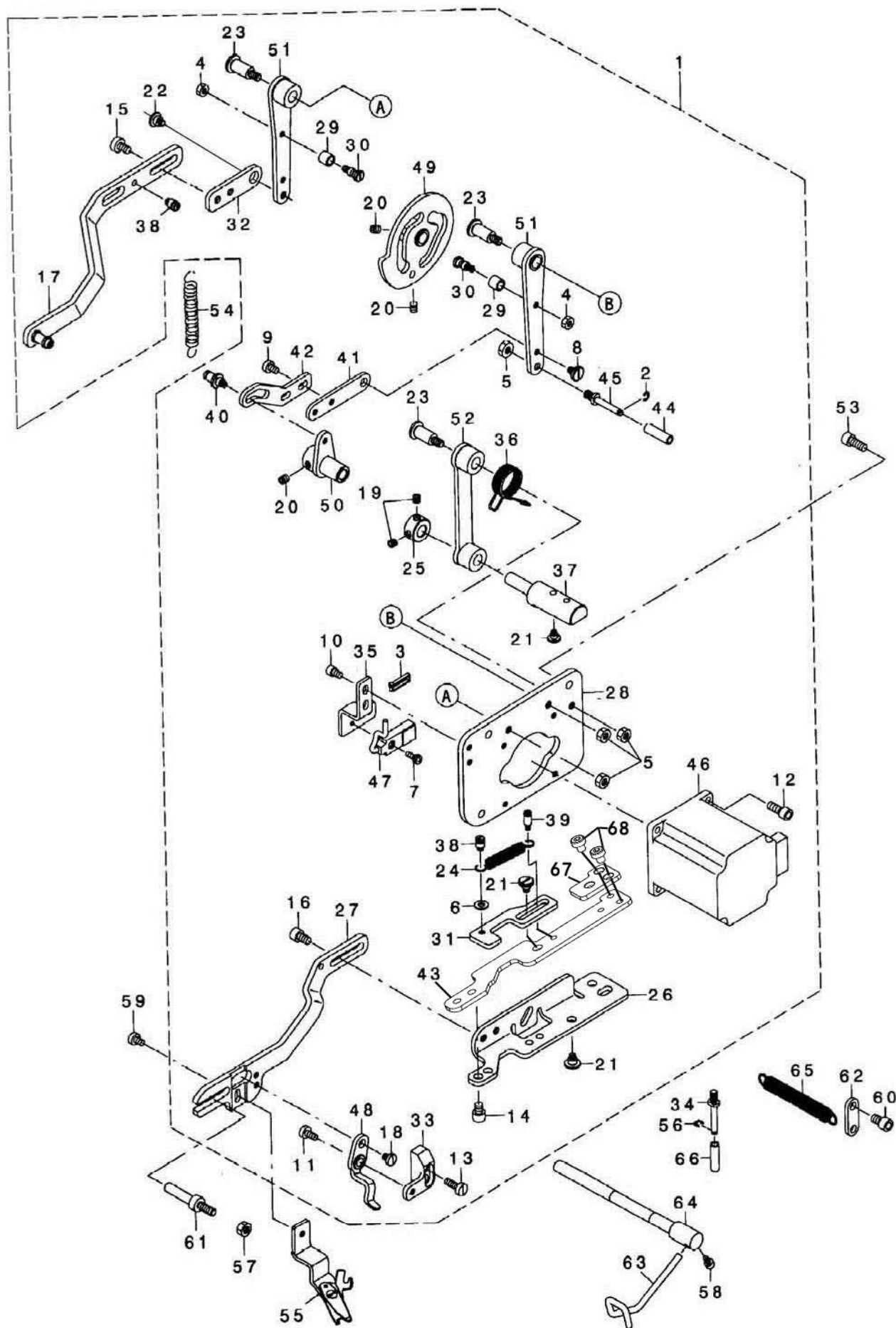
6. NEEDLE BAR ROCKING COMPONENTS



6. NEEDLE BAR ROCKING COMPONENTS

NO.	Part No.	Description	Qty
1	20019529	MOTOR MOUNTING ASSY	1
2	10009008	SCREW M6 L=16	4
3	10052936	MOTOR BASE	1
4	10000863	SCREW M4 L=12	4
5	10052932	MOTOR LEVER	1
6	10012162	SCREW M5 L=5	6
7	10000059	ZIGZAG LEVER REAR	1
8	10000996	ZIGZAG ROD ASM	1
9	10000983	SHAFT HOLDER LINK BUSH	2
10	10000997	ZIGZAG ROD	1
11	10000981	JUNCTION SHAFT A	2
12	10000991	BUSHING REAR	1
13	10000990	BUSHING	1
14	10000060	THRUST COLLAR D15 W11	1
15	10011232	SCREW M6 L=6	2
16	10052931	NEEDLE BAR FRAME ASSY	1
17	10000982	NEEDLE BAR METAL	2
18	10052929	NEEDLE BAR FRAME	1
19	10052930	BALANCE SHAFT	1
20	10053753	PIN	1
21	10005326	NEEDLE BAR CONNECTION SLIDE	1
22	10052928	NEEDLE BAR CONNECTION	1
23	10000973	SCREW M4 L=7	1
24	10005197	ROOFING PLATE	3
25	10005050	SCREW M4 L=4	2
26	10004947	ROOF	1
27	10005379	SCREW M4 L=4.5	2
28	10005263	NEEDLE ROD SLIDE BLOCK	1
29	10005188	ROOF	1
30	10000953	NEEDLE BAR	1
31	10000952	NEEDLE BAR BOBBIN THREAD GUIDE	1
32	10010588	SCREW 1/8-44 L=4.5	1
33	10002447	NEEDLE DPX5 #11	1

7. NEEDLE THREAD TRIMMER COMPONENTS

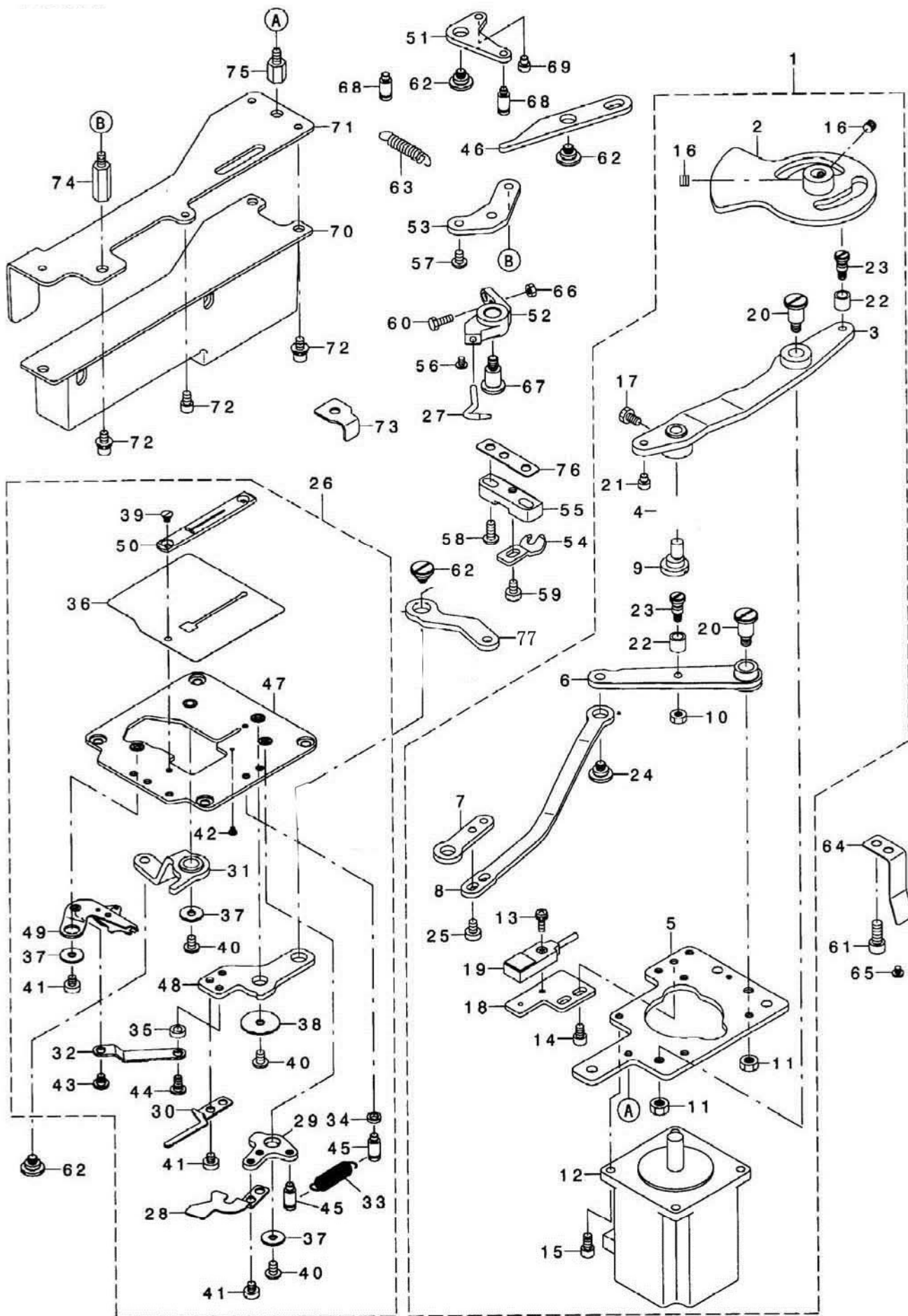


7. NEEDLE THREAD TRIMMER COMPONENTS

NO.	Part No.	Description	Qty
1	10003215	ASSY UTT MODULE	1
2	10003248	E-RING 3	1
3	10003358	CABLE BAND	1
4	10002463	NUT M4	2
5	10000994	NUT M5	4
6	10002765	WASHER 4. 3X9X0. 8	1
7	10000984	SCREW ASM.	1
8	10003496	SHOULDER SCREW D6 H2. 6	1
9	10002762	SCREW M4 L=6	2
10	10003399	SCREW M4 L=6	2
11	10003298	SCREW M4 L=8	1
12	10003399	SCREW M4 L=10	4
13	10009037	SCREW M4 L=12	2
14	10003881	HEXAGON SOCKET HEAD SCREW M5X6	2
15	10002802	SCREW M5 L=8	2
16	10003442	SCREW M5 L=8	2
17	10002497	ASSY UTT RELEASE ARM B	1
18	10003262	SCREW M4 L=5	1
19	10012162	SCREW M5 L=4	2
20	10012162	SCREW M5 L=5	4
21	10003256	SHOULDER SCREW D6 H3. 2	4
22	10002755	SHOULDER SCREW D8 H4	1
23	10003266	SHOULDER SCREW D8 H15	3
24	10002767	SPRING	1
25	10002760	THRUST COLLAR D8 W9	1
26	10002469	UTT ARM A	1
27	10002766	UTT ARM A	1
28	10003263	UTT BASE PLATE	1
29	10000021	UTT CAM ROLLER	2
30	10002803	UTT CAM ROLLER SHAFT	2
31	10002531	UTT RATCH PLATE	1
32	10002533	UTT RELEASE ARM A	1
33	10003297	UTT RELEASE LEVER BASE	1
34	10003222	UTT Y-DRIVE SHAFT	1
35	10002751	UTT SENSOR BASE	1
36	10002758	UTT_SUPPORT_ARM_SPRING	1

37	10003226	UTT SUPPORT SHAFT	1
38	10002764	UTT SUSPENSION SCREW 4	2
39	10002763	UTT SUSPENSION SCREW 9	1
40	10003495	UTT SUSPENSION SHOULDER SCREW	1
41	10003441	UTT THREAD PULLING LINK A	1
42	10003496	UTT THREAD PULLING LINK B	1
43	10002566	UTT X-CAM	1
44	10003223	UTT Y-DRIVE ROLLER	1
45	10003222	UTT Y-DRIVE SHAFT	1
46	10003215	UT TRIM MOTOR ASS'Y	1
47	10049545	UT TRIM SENSOR ASS'Y	1
48	10002495	ASSY UTT RELEASE LEVER	1
49	10002568	ASSY UTT CAM	1
50	10002448	ASSY UTT THREAD PULLING ARM	1
51	10002496	ASSY UTT CAM ARM	1
52	10002498	ASSY UTT SUPPORT ARM	1
53	10014210	SCREW M5 L=12	3
54	10002761	BUTTON SUPPORT LEVER SPRING	1
55	10002450	ASSY UTT TRIMMER	1
56	10003248	E-RING 3	1
57	10000994	NUT M5	1
58	10003399	SCREW M4 L=8	1
59	10002762	SCREW M4 L=6	1
60	10003396	SCREW M5 L=8	1
61	10003261	UTT GUIDE SHAFT	1
62	10003258	UTT SUSPENSION PLATE	1
63	10003260	UTT THREAD PULLING LEVER	1
64	10003259	UTT THREAD PULLING SHAFT	1
65	10003257	UTT TRIMMER CLOSE SPRING	1
66	10003223	UTT Y-DRIVE ROLLER	1
67	10051478	GUIDE PLATE	1
68	10010685	SCREW M4 L=6	2

8. BOBBIN THREAD TRIMMER COMPONENTS



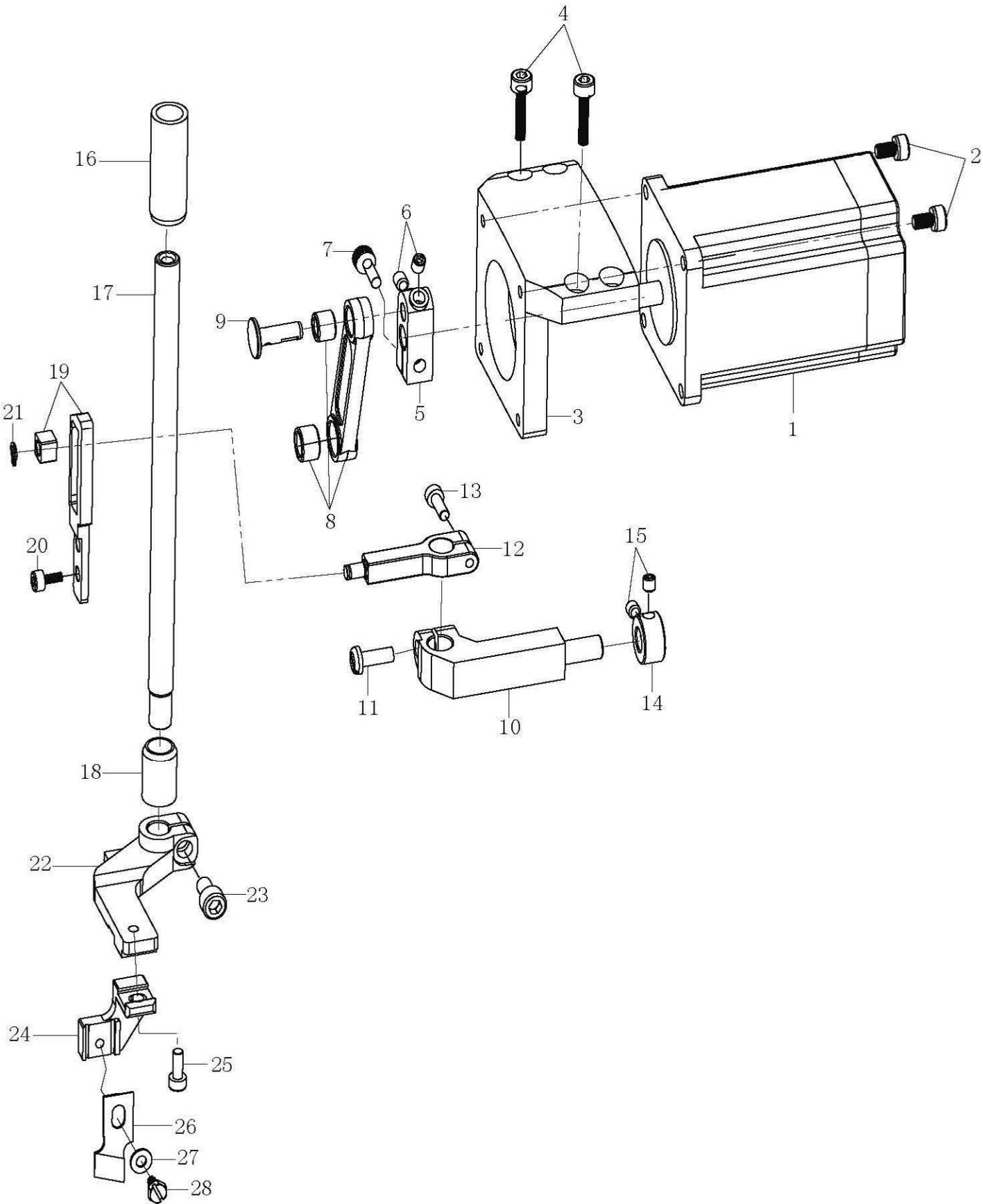
8. BOBBIN THREAD TRIMMER COMPONENTS

NO.	Part No.	Description	Qty
1	20007587	BTT_DRIVE_UNIT	1
2	10001143	ASSY_BTT_DRIVE_CAM	1
3	10001164	ASSY_BTT_DRIVE_LEVER	1
4	10001012	BTT_DRIVE_LINK	1
5	10001009	BTT_DRIVE_UNIT_BASE	1
6	10008447	ASSY_BTT_RELEASE_LEVER	1
7	10001015	BTT_RELEASE_LINK_F	1
8	10001014	BTT_RELEASE_LINK_R	1
9	10001024	LINK ROD	1
10	10002076	NUT M4	1
11	10001146	NUT M5	2
12	10001022	LT TRIM MOTOR ASS'Y	1
13	10000984	SCREW M3 X 10	1
14	10010685	SCREW M4 L=6	2
15	10001010	SCREW M4 L=8	4
16	10012162	SCREW M5 L=4	2
17	10001013	HEXAGONAL BOLT	1
18	10001021	SENSOR FITTING PLATE_BT	1
19	10049546	LT TRIM SENSOR ASS'Y	1
20	10001029	SHOULDER SCREW D8 H10	2
21	10001124	STOPPER_PIN	1
22	10000021	UTT_CAM_ROLLER	2
23	10000919	UTT_CAM_ROLLER_SHAFT	2
24	10001023	SHOULDER SCREW D8 H2.9	1
25	10010554	SCREW M3 L=6	2
26	10025945	THROAT_PLATE_BASE_COMPL	1
27	10003487	PICKER	1
28	10000915	BT_CLAMP	1
29	10000910	BT_CLAMP_LEVER	1
30	10001120	BT_PULLER	1
31	10001126	ASSY_BT_RELEASE_ARM	1
32	10000022	BT_TRIMMER_LINK	1
33	10000918	SPRING	1
34	10000916	WASHER	1
35	10000070	WASHER	1
36	10001123	OIL_SHIELD	1
37	10001017	PLAIN WASHER 4. 3X12X1	3

38	10001121	WASHER 4.5X20X1	1
39	10001145	SCREW M3 L=4	2
40	10001051	SCREW	3
41	10000041	SCREW M4 L=4	9
42	10000917	HINGE SCREW	1
43	10000071	SHOULDER SCREW D5 H1.6	1
44	10001144	SHOULDER SCREW D5 H1.6	1
45	10001053	SUSPENSION_SCREW	2
46	10001016	PICKER_ACTUATING_LEVER	1
47	10001155	ASSY_THROAT_PLATE_BASE	1
48	10000072	BTT_LEVER	1
49	10001127	ASSY_BTT_LOWER	1
50	10000074	THROAT_PLATE (K)	1
51	10001052	PICKER_ACTUATING_L_LINK	1
52	10001028	PICKER_BASE	1
53	10001026	PICKER_BASE_FITTING_PLATE	1
54	10000912	STOPPER A	1
55	10000913	BOBBIN CASE POSITIONING PLATE	1
56	10000040	SCREW M3 L=4	1
57	10001027	SCREW M4 L=5	1
58	10009104	SCREW M4 L=10	2
59	10010554	SCREW M4 L=6	1
60	10001025	SCREW M4 L=12	1
61	10001010	SCREW M5 L=8	3
62	10001125	SHOULDER SCREW D8 H2.9	4
63	10000918	SPRING	1
64	10001020	SAFETY SWITCH PRESSING PLATE	1
65	10009529	SCREW	1
66	10002076	NUT M4	1
67	10001029	SHOULDER SCREW D8 H10	1
68	10001053	SUSPENSION_SCREW	2
69	10001018	STOPPER_PIN	1
70	10001137	OIL_TANK_ASM.	1
71	10000073	OIL_TANK_PLATE	1
72	10001135	SCREW	6
73	10000911	PICKER_BASE_STOPPER	1
74	10000039	STUD	1
75	10001011	STUD	1

76	10000914	BTT_SPACER	1
77	10001012	TANGENTIAL DRIVE PLATE	1

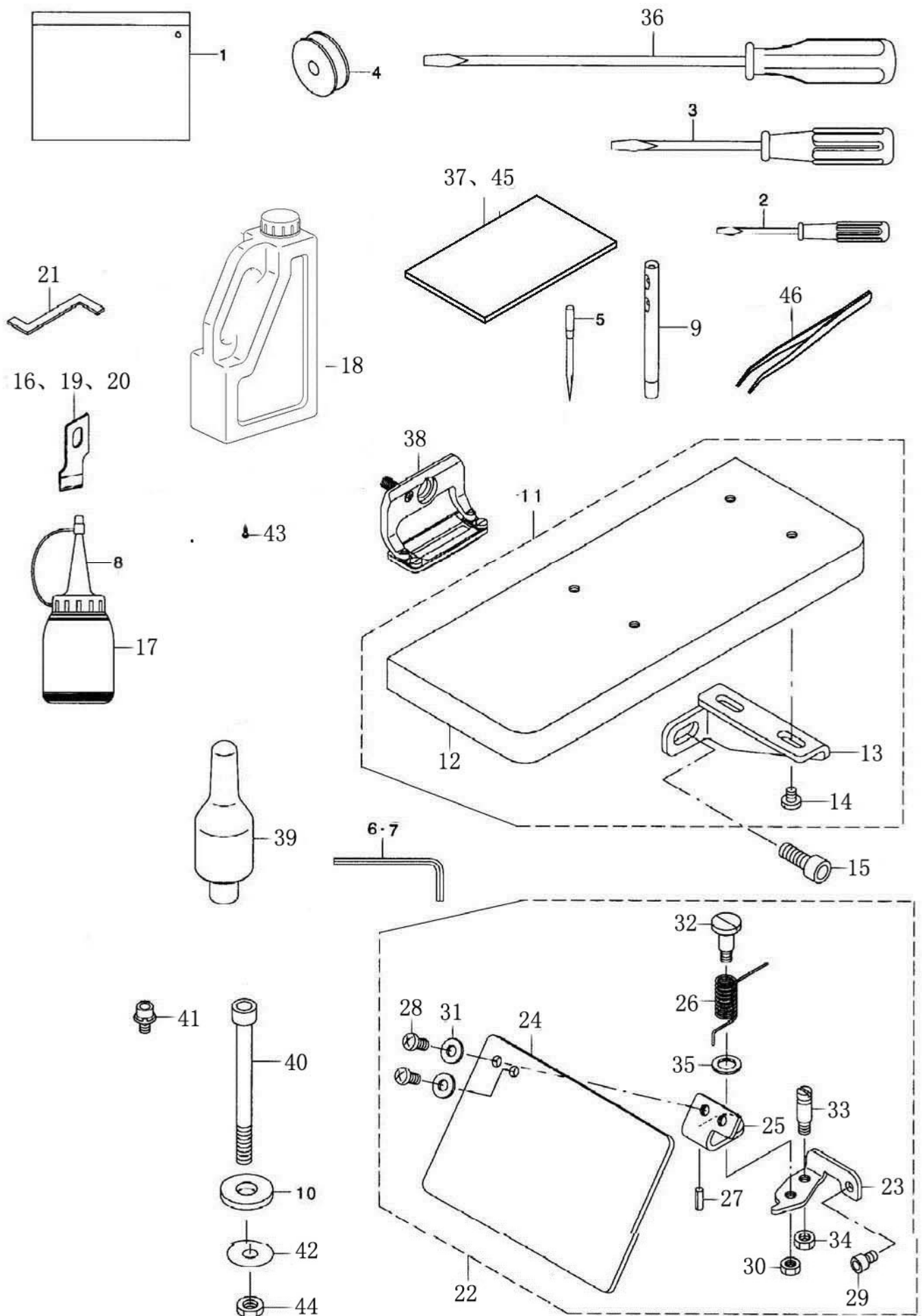
9. CLOTH CUTTING KNIFE COMPONENTS



9. CLOTH CUTTING KNIFE COMPONENTS

NO.	Part No.	Description	Qty
1	10041709	KNIFE MOTOR ASS'Y	1
2	10009103	SCREW M4 L=16	4
3	10039445	MOTOR_BRACKET	1
4	10000860	SCREW M5 L=12	4
5	10039439	MOTOR DRIVE BLOCK	1
6	10012162	SCREW M5 L=5	2
7	10005139	SCREW M5 L=12	1
8	10039441	CONNECTING ROD ASSEMBLY	1
9	10000981	BELL CRANK SHAFT	1
10	10039440	KNIFE CONNECTING SHAFT	1
11	10001159	SCREW	1
12	10051906	CUTTER SHAFT GUIDE POST	1
13	10000863	SCREW M4 L=12	1
14	10002760	SHRINK-RING	1
15	10012162	SCREW M=5 L=5	2
16	10001185	KNIFE BAR BUSH	1
17	10001169	KNIFE BAR	1
18	10001181	KNIFE BAR LOWER BUSHING	1
19	10051994	RAG KNIFE GUIDE SLIDER ASSEMBLY	1
20	10003399	SCREW M4 L=8	2
21	10009668	BEAD FLANGE	1
22	10001180	KNIFE BAR BASE	1
23	10011824	SCREW M6 L=12	1
24	10001160	KNIFE FITTING BASE	1
25	10005139	SCREW	1
26	10001086	KNIFE	1
27	10002765	WASHER 4. 3X9X0. 8	1
28	10001189	HEXAGONAL BOLT	1

10. ACCESSORIES PART COMPONENTS

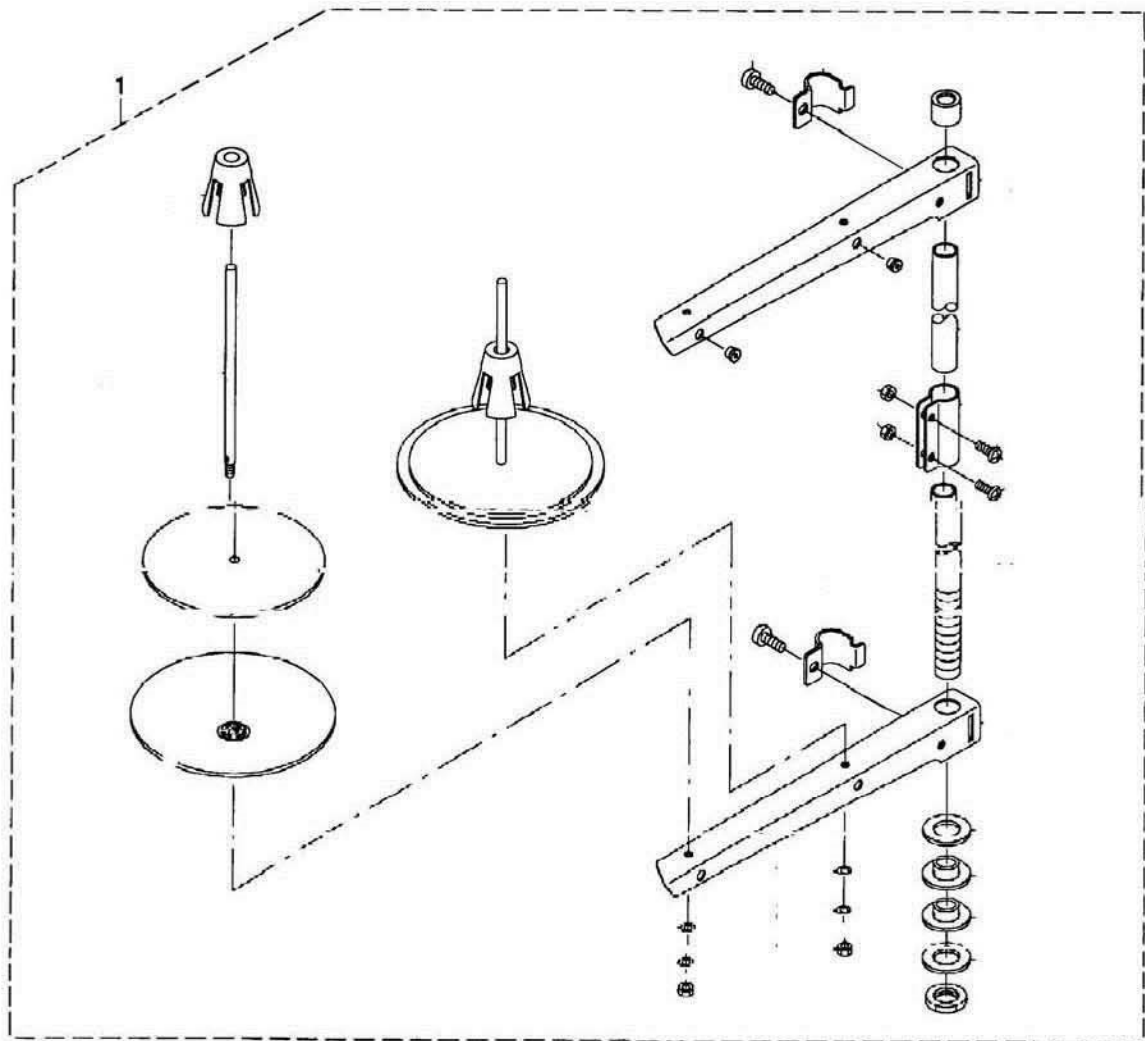


10. ACCESSORIES PART COMPONENTS

NO.	Part No.	Description	Qty
1	10001177	ACCESSORIE BAG	1
2	10013185	SCREW DRIVER, SMALL	1
3	10010995	SCREW DRIVER, MIDDLE	1
4	10000880	BOBBIN	3
5	10002447	EEEDLE DPX5 #11~#14	1
6	10009685	HEXAGONAL WRENCH KEY	1
7	10009689	HEXAGONAL WRENCH KEY	1
8	10006373	OILER CAP	1
9	10000167	THREAD GUIDE BAR	1
10	10003357	RUBBER CUSHION(B)	4
11	20007589	AUXILIARY TABKE COMPL.	1
12	20006740	AUXILIARY TABLE	1
13	10002394	INSTALLING PLATE	2
14	10001095	SCREW 11/64-40 L=4.8	4
15	10003402	SCREW M6 L=10	2
16	10001192	KNIFE 1	1
17	10013294	OILER	1
18	10004455	DEFRIX OIL NO. 1 (600CC)	1
19	10001093	KNIFE 5/8	1
20	10001092	KNIFE 3/8	1
21	10001174	HOOK TIMING GAUGE, K	1
22	20000415	ASSY_SAFETY_PLATE	1
23	10001338	SAFETY_PLATE_FITTING_BASE	2
24	10011636	SAFETY PLATE	1
25	10001339	SAFETY PLATE INSTALLING PLATE	1
26	10011678	SAFETY PLATE RETURN SPRING	1
27	10002880	SPRING PIN 2X6	2
28	10011570	SCREW 11/64-40 L=7	2
29	10003399	SCREW M4 L=6	1
30	10000100	NUT 11/64-40	2
31	10011680	WASHER 4. 5X10X0. 8	1
32	10011677	HINGE SCREW D=6 H=10. 2	1
33	10011633	TENSION SPRING RACK B	1
34	10011682	NUT 3/16-28	1
35	10001289	WASHER 7. 4X10X0. 8	1
36	10010994	SCREW DRIVER, LARGE	1

37	10050264	PARTS MANUAL	1
38	10006197	WORK CLAMP CHECK HOLDER	1
39	10011749	HEAD SUPPORT BAR	4
40	10003832	HEXAGON BOLT	4
41	10003875	BOLT	1
42	10003395	WASHER 6. 1X18. 5X2	4
43	10008323	WOOD SCREW D=4. 8 L=20	2
44	10003078	NUT M6	8
45	10037832	ELECTRIC CONTROL SPECIFICATION	1
46	10004247	TWEEZERS COMPONENT	1

11. THREAD STAND COMPONENTS

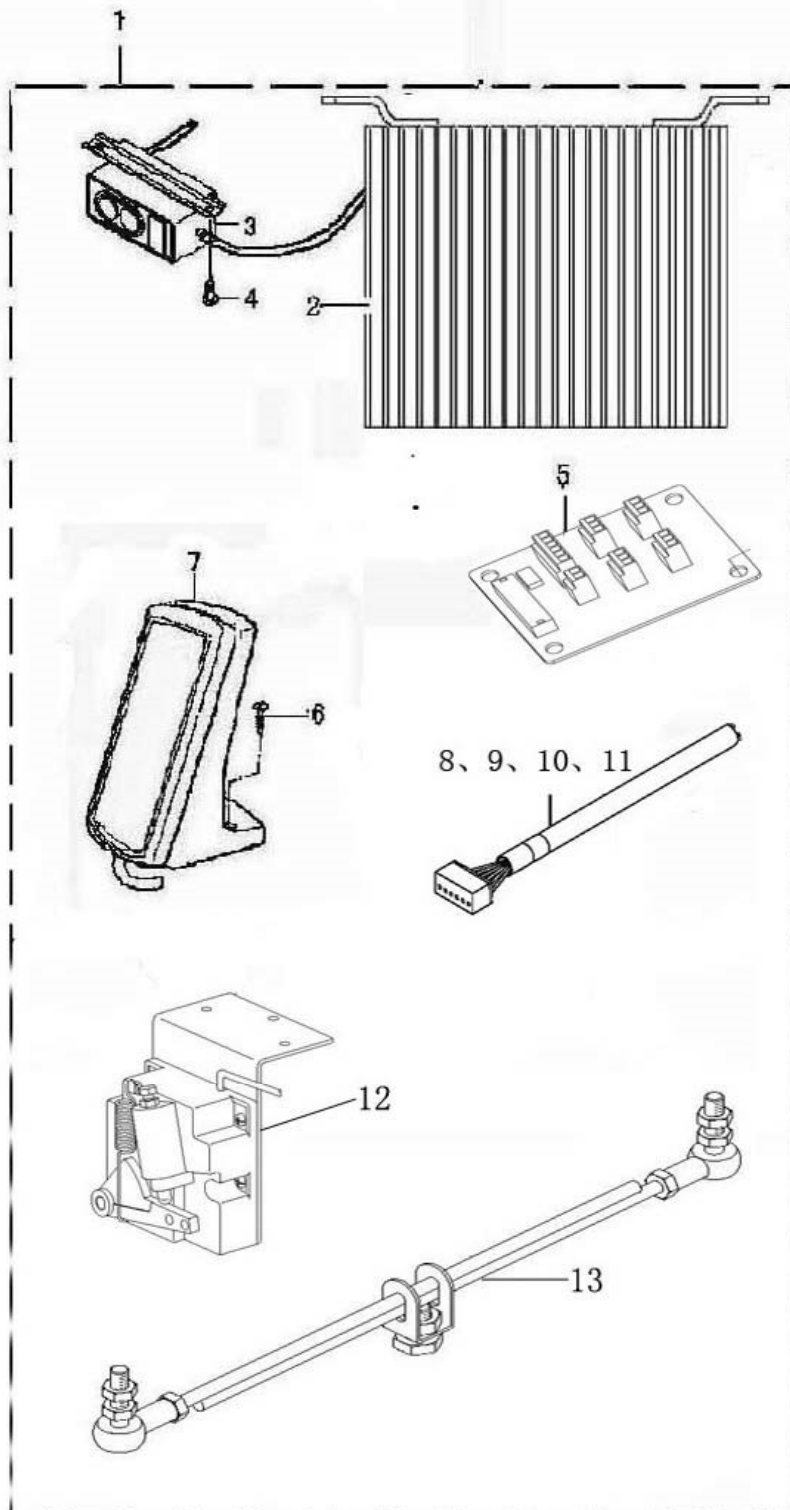


No. 1

Part no. 10007130 – Thread stand ASM

1 set

12. CONTROL BOX COMPONENTS



12. CONTROL BOX COMPONENTS

NO.	Part No.	Description	Qty
1	20019530	CONTROL BOX	1
2	10053754	CONTROL BOX ASSEMBLY	1
3	10001298	POWER SWITCH	1
4	10008323	SCREW	2
5	10053757	HEAD ADAPTER PLATE	1
6	10008323	SCREW	2
7	10053755	OPERATION BOX	1
8	10048837	L725 CABLE	1
9	10048838	L724-1 CABLE	1
10	10025146	L524-1 CABLE	1
11	10049550	L437 DISCONNECTION DETECTION CABLE	1
12	10024990	PEDAL UNIT ASM	1
13	10024458	PEDAL CONTROL ROD ASM	1

Special parts table

Description	SAP code
9.5mm cutter	10001092
12.7mmcutter	10001086
15.9mmcutter	10001093
25.4mmcutter	10001192
5×35 presser foot asm	10006179
5×70 presser foot asm	10028680
5×100 presser foot asm	10028685
K type needle plate	10051479

Description	SAP code for standard S	SAP code for knitting K	SAP code for longer L
presser foot asm	10004529	10040941	10007119
Needle plate	10000074	10040936	10000074
Feed plate	10000020	10042066	10007084
Presser foot guides	10000944	10000944	10007086
Presser foot longitudinal guide	10000942	10000942	10007085
Reset plate	10000941	10000941	10007079



Dealer:

--